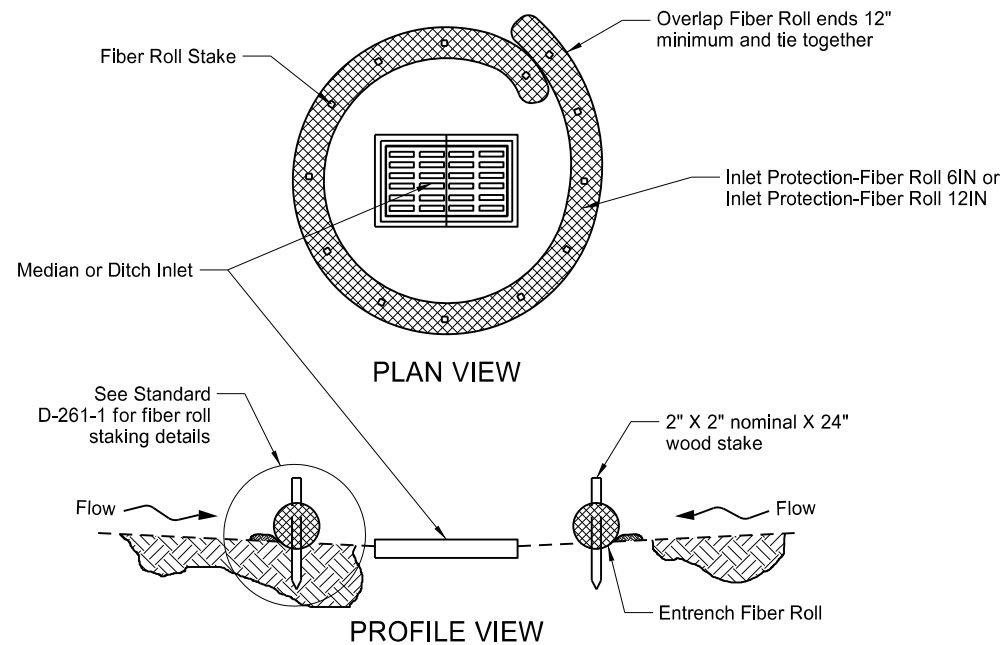
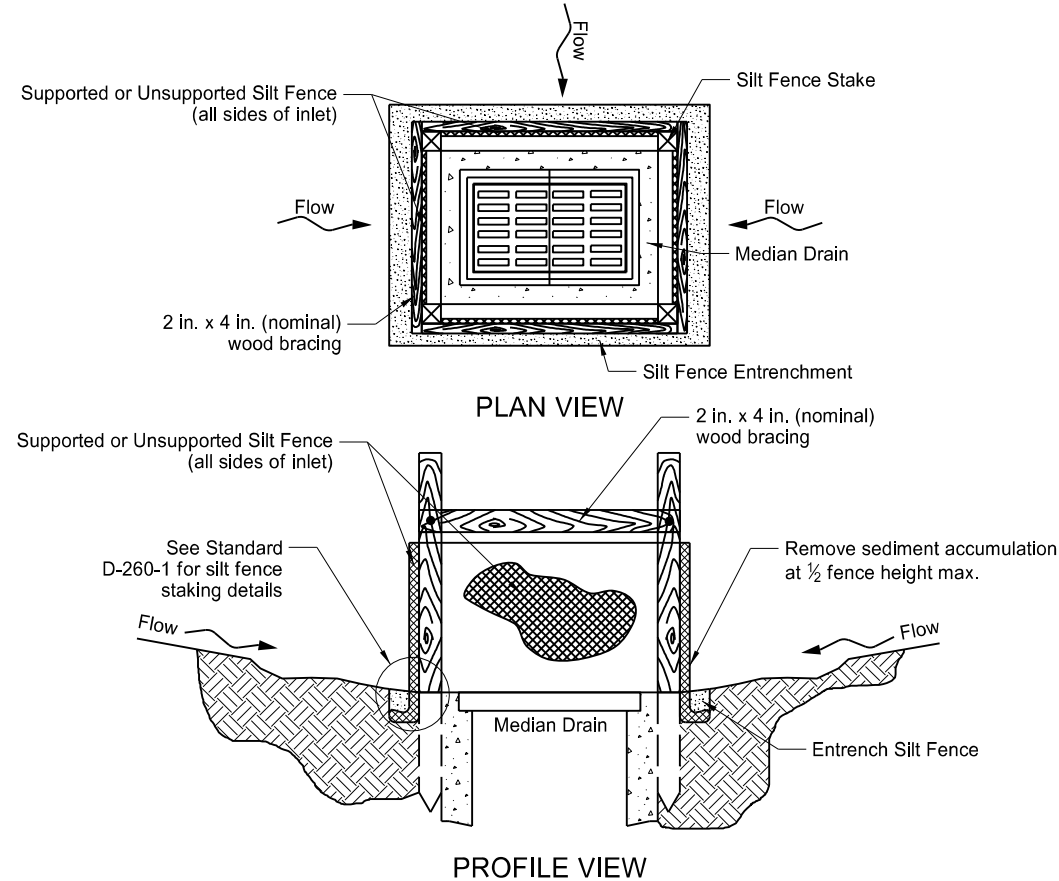


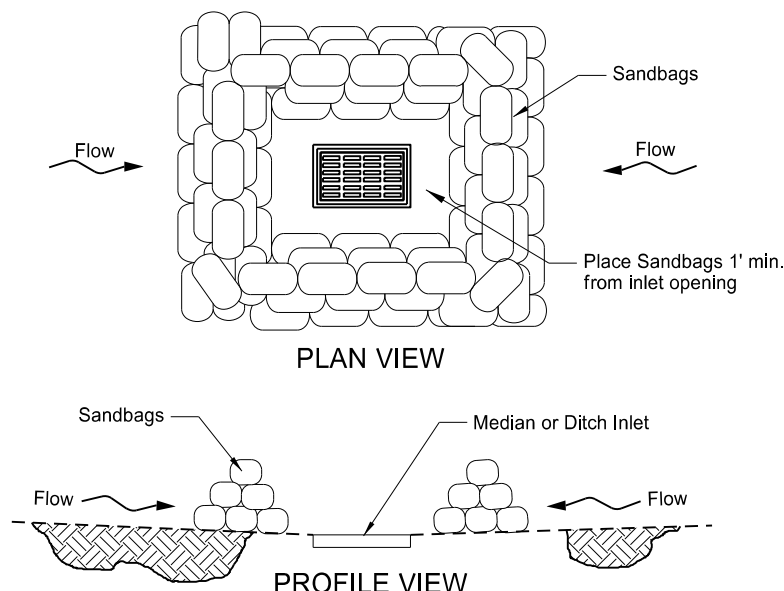
EROSION AND SILTATION CONTROLS  
MEDIAN OR DITCH INLET PROTECTION



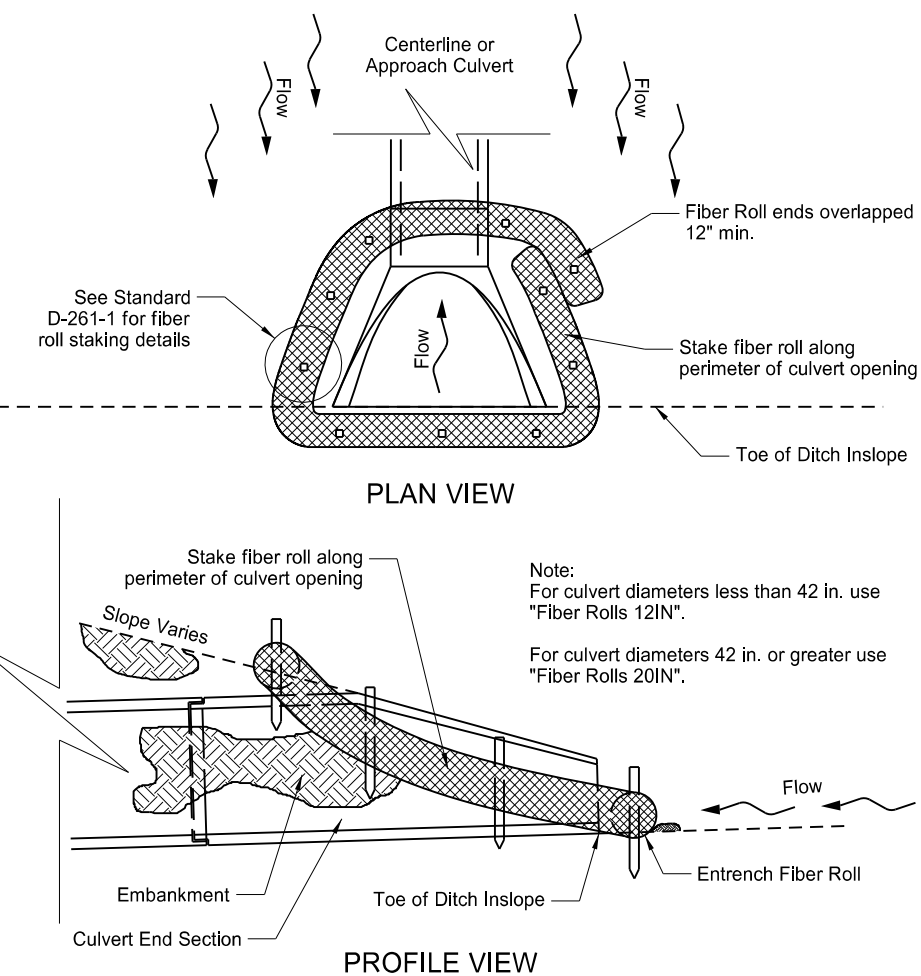
FIBER ROLL PROTECTION (MEDIAN OR DITCH INLET)



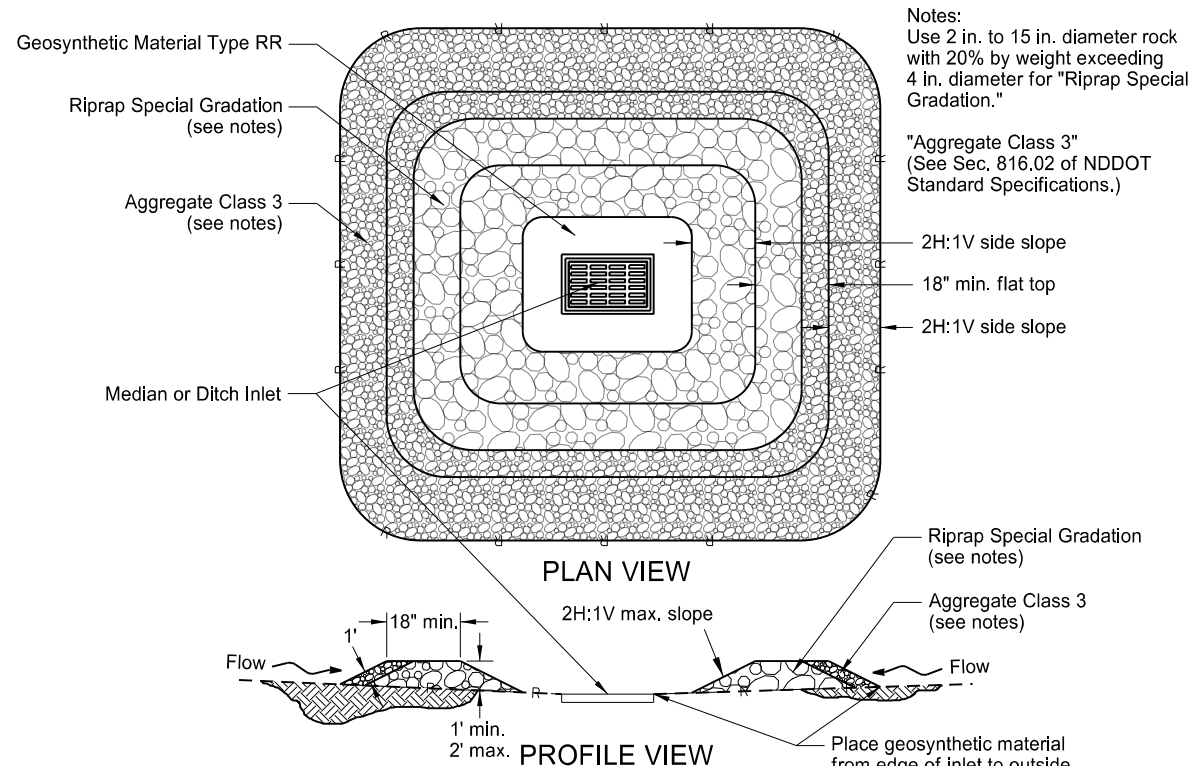
SILT FENCE PROTECTION (MEDIAN OR DITCH INLET)



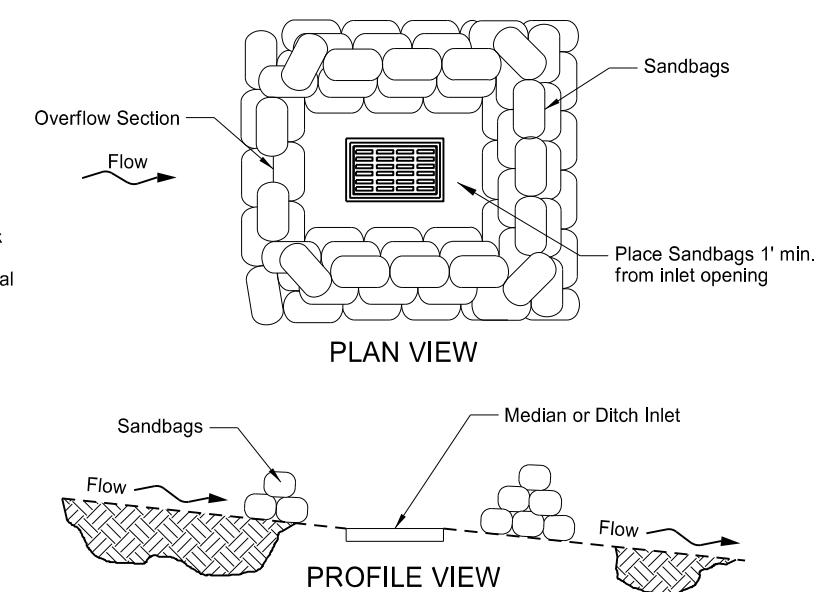
SANDBAG PROTECTION (LOW POINT)



FIBER ROLL PROTECTION (INLET OF CULVERT)



GRAVEL INLET PROTECTION (MEDIAN OR DITCH INLET)



SANDBAG PROTECTION (ON SLOPE)

Notes:  
Use 2 in. to 15 in. diameter rock with 20% by weight exceeding 4 in. diameter for "Riprap Special Gradation."  
"Aggregate Class 3" (See Sec. 816.02 of NDDOT Standard Specifications.)

NORTH DAKOTA DEPARTMENT OF TRANSPORTATION	
10-03-13	
REVISIONS	
DATE	CHANGE
06-26-14	Updated reference to standard drawing number for fiber roll staking details.
10-01-14	Updated reference to standard drawing number for silt fence.
10-17-17	Updated to active voice.

This document was originally issued and sealed by  
**Roger Weigel**  
Registration Number  
**PE-2930**,  
on 10-17-2017 and the original document is stored at the North Dakota Department of Transportation