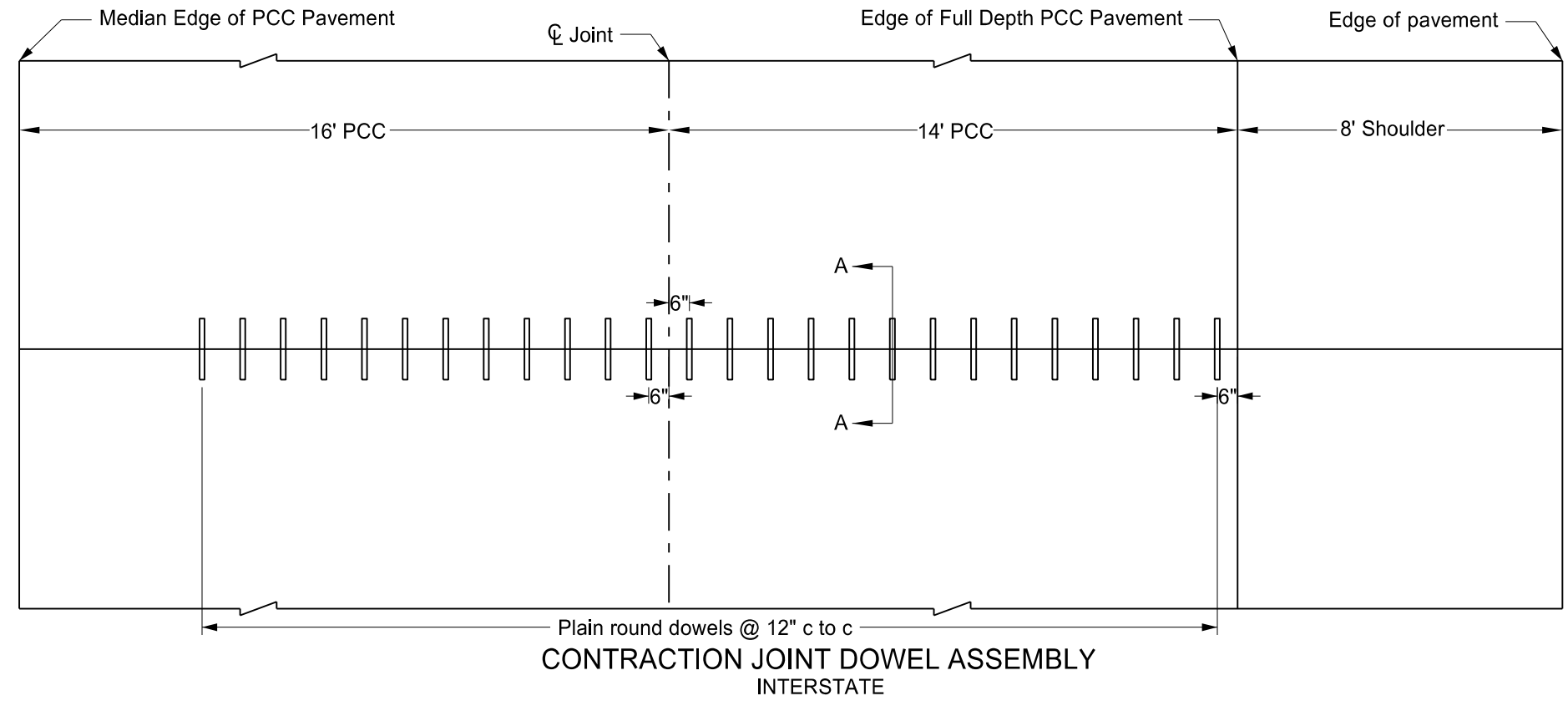
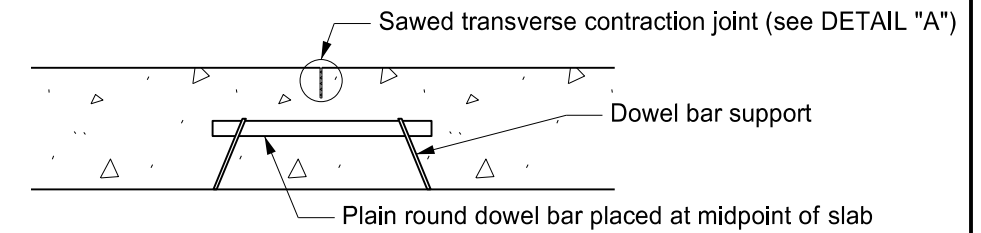
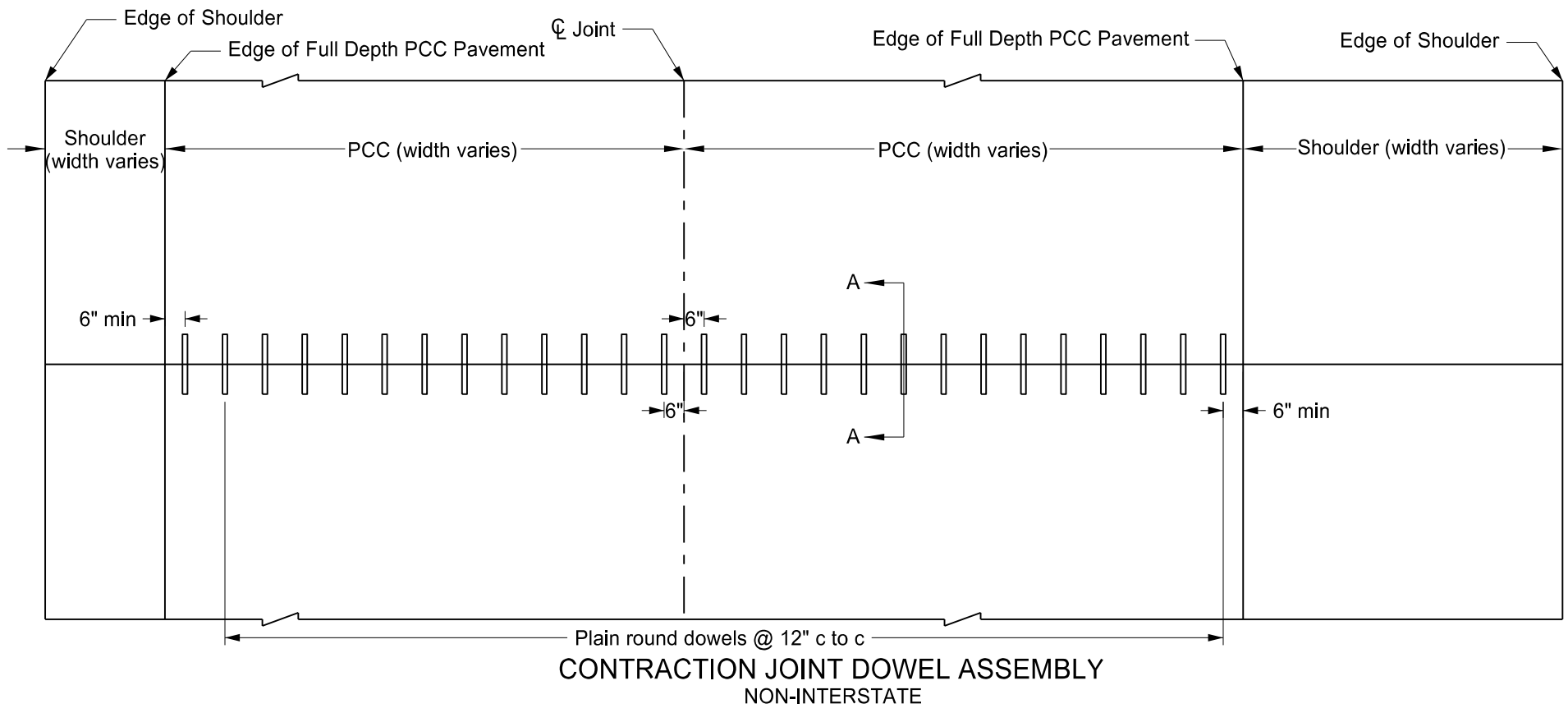
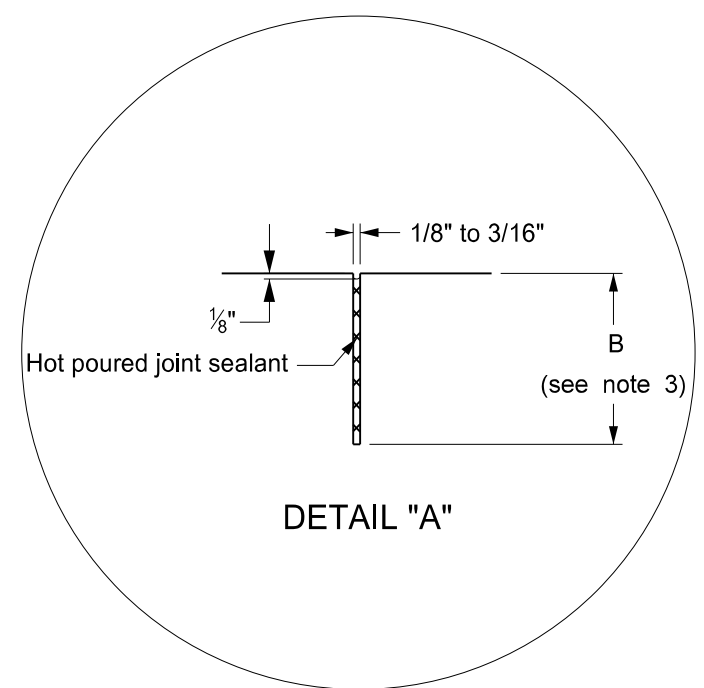


TRANSVERSE CONTRACTION JOINT DETAILS



Notes

1. The joint seal details apply to both doweled and non-doweled (plain) transverse joints.
2. T = Thickness of pavement.
3. $B = T/4 + 1/4"$ for AE or YE for non-doweled concrete pavement or $B = T/3$ for AAE or doweled concrete pavement



SECTION A-A

NORTH DAKOTA DEPARTMENT OF TRANSPORTATION	
9-15-10	
REVISIONS	
DATE	CHANGE
6/23/2014	Removed dowel size reference
3/16/2016	Revised Joint Details and notes
10/25/2019	Expanded Details for clarity

This document was originally issued and sealed by
 Kirk J Hoff,
 Registration Number
 PE- 4683,
 on 10/25/19 and the original document is stored at the
 North Dakota Department
 of Transportation