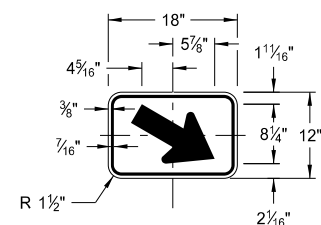


CONSTRUCTION SIGN DETAILS
WARNING SIGNS

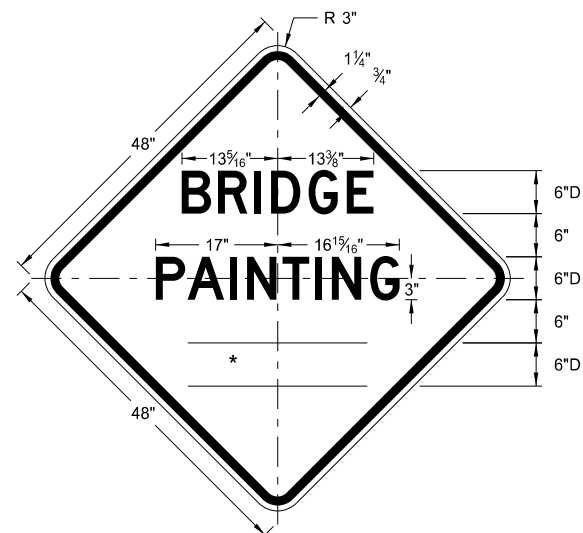
WORD	LETTER SPACING
AHEAD	Standard
200 FT	Standard
350 FT	Standard
500 FT	Standard
1000 FT	Reduce 40%
1500 FT	Reduce 40%
½ MILE	Reduce 50%
1 MILE	Standard

* DISTANCE MESSAGES



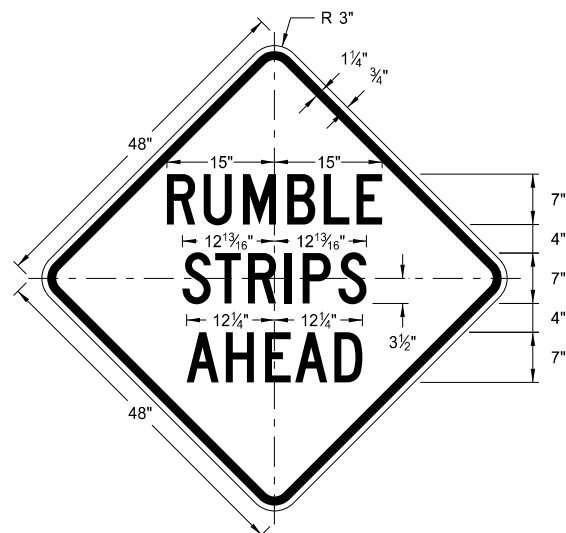
W16-7aP-18

Legend: black (non-refl)
Background: orange



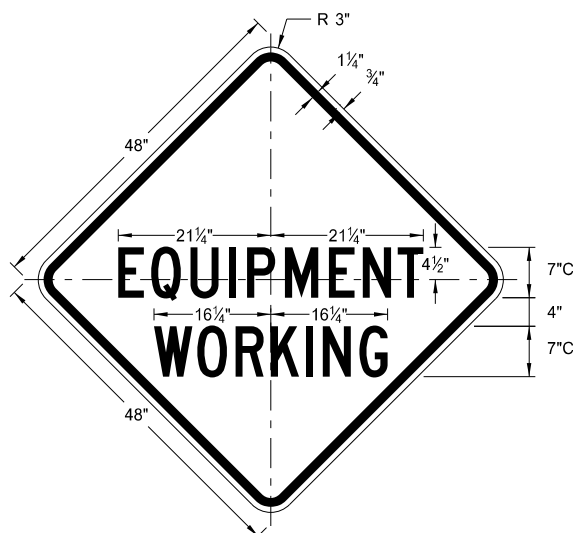
W21-50-48

Legend: black (non-refl)
Background: orange



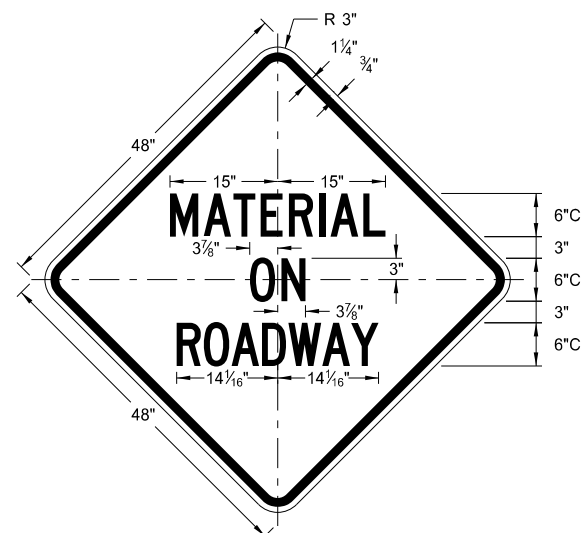
W21-53-48

Legend: black (non-refl)
Background: orange



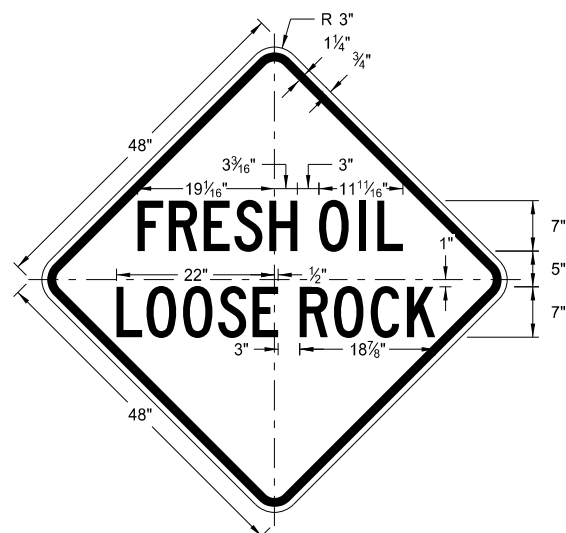
W20-51-48

Legend: black (non-refl)
Background: orange



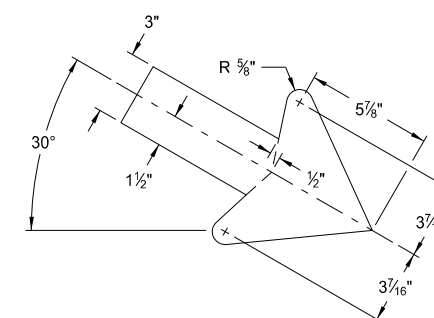
W21-51-48

Legend: black (non-refl)
Background: orange

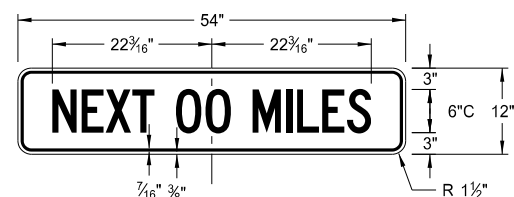


W22-8-48

Legend: black (non-refl)
Background: orange

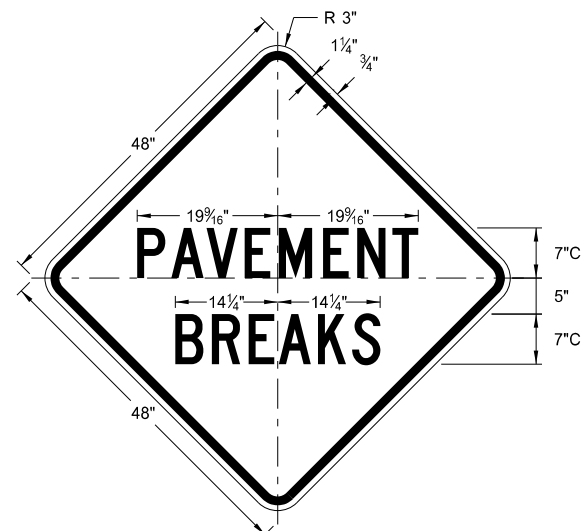


W16-7aP-18



W20-52P-54

Legend: black (non-refl)
Background: orange



W21-52-48

Legend: black (non-refl)
Background: orange

NORTH DAKOTA DEPARTMENT OF TRANSPORTATION	
5-31-18	
REVISIONS	
DATE	CHANGE
11-01-19	Added details for sign W16-7aP-18.

This document was originally issued and sealed by
Kirk J Hoff,
Registration Number
PE- 4683,
on 11/1/19 and the original document is stored at the North Dakota Department of Transportation