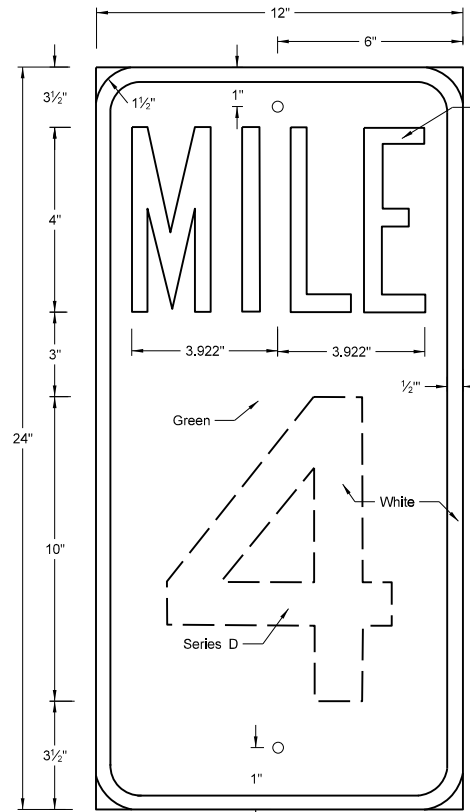
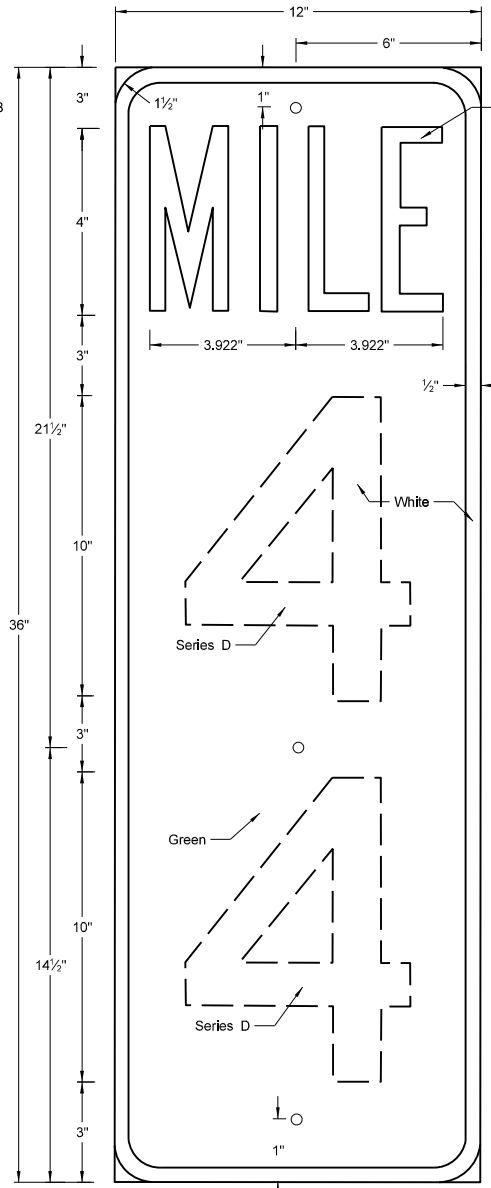


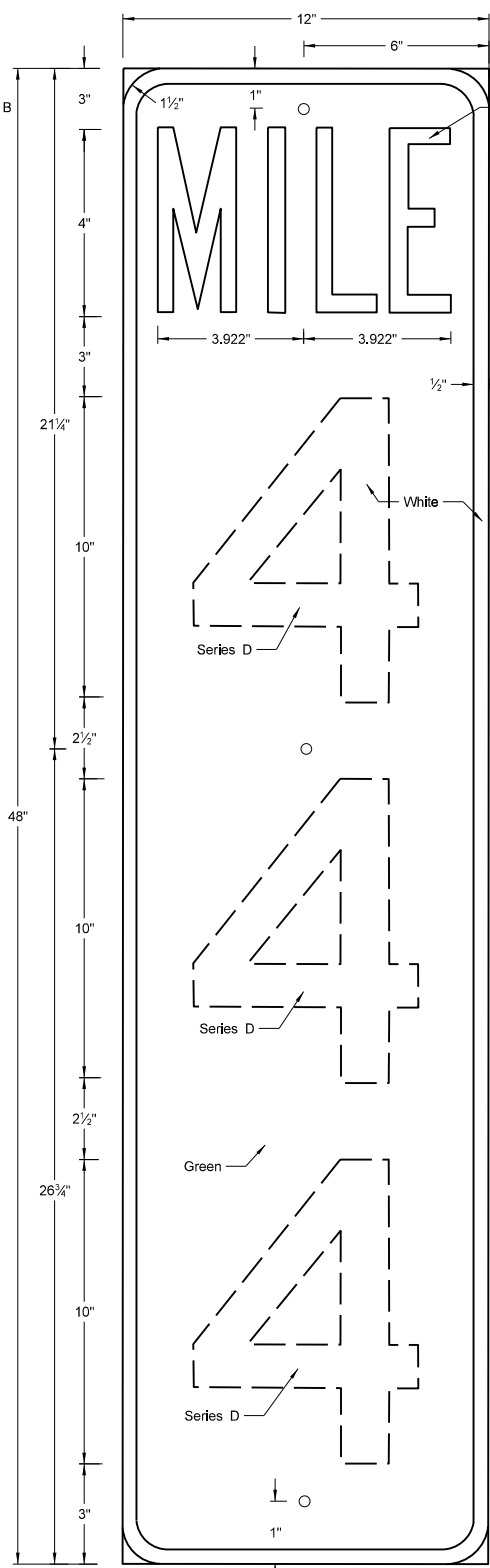
(EXPRESSWAY-FREEWAY USE) MILE POSTS



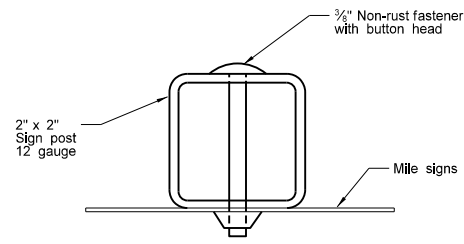
TYPE A
Area = 2.00 S.F.



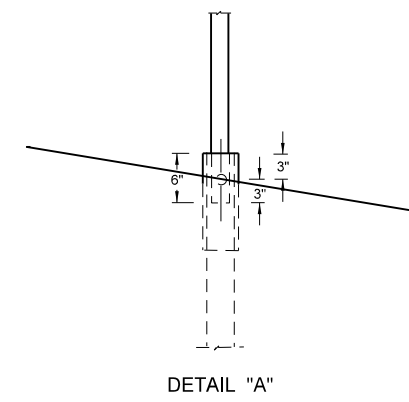
TYPE B
Area = 3.00 S.F.



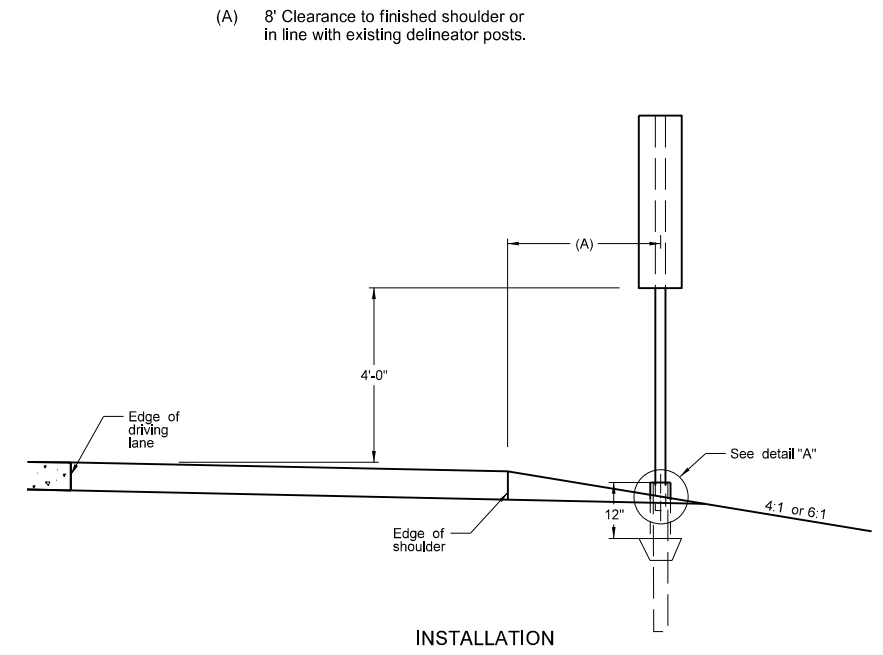
TYPE C
Area = 4.00 S.F.



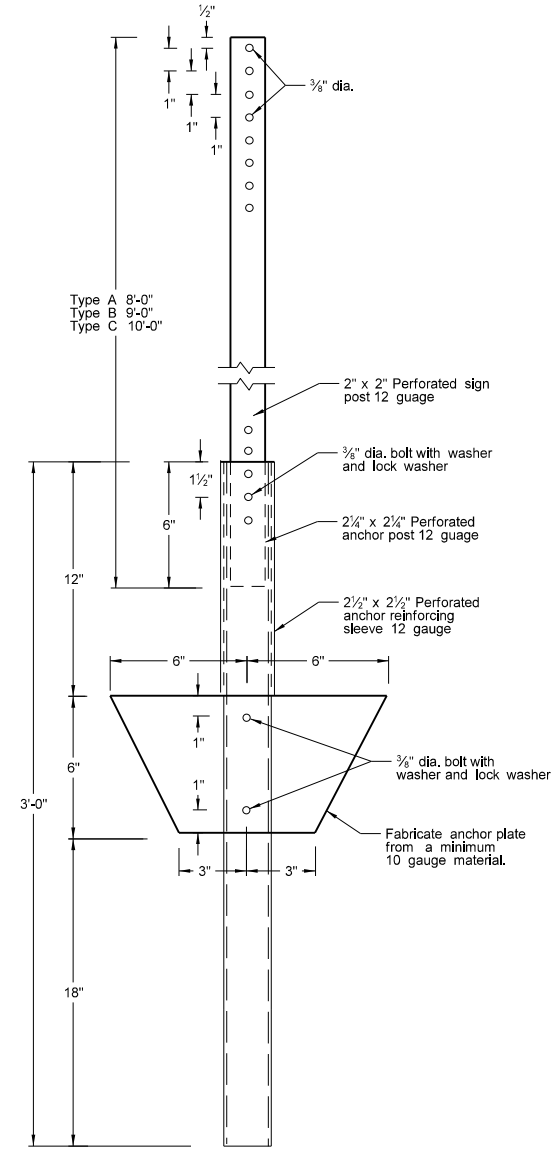
ASSEMBLY DETAIL



DETAIL "A"



INSTALLATION



POST AND ANCHOR PLATE DETAIL

(A) 8' Clearance to finished shoulder or in line with existing delineator posts.

- NOTES:
 Installation: Install posts along right shoulder in line with delineators.
 Mile Sign Backing: Fabricate backing of 0.080 aluminum.
 Fasteners: Attach signs to post with tension pin type fastener or other suitable vandal resistant non-rust fastener.
 Reflective Sheeting: Use Type IV sheeting.
 Numbers: Use screened or applied copy numbers of the series shown.

NORTH DAKOTA DEPARTMENT OF TRANSPORTATION	
12-1-10	
REVISIONS	
DATE	CHANGE
7-8-14	Revised post and reflective sheeting notes.
8-30-18	Updated to active voice.
8-29-19	New Design Engineer PE Stamp

This document was originally issued and sealed by
 Kirk J Hoff,
 Registration Number
 PE-4683,
 on 8/29/19 and the original document is stored at the
 North Dakota Department
 of Transportation